

QUILT GIRL Hobo Bag

Designed by Whistler Studios
Featuring the Quilt Girl Collection by Whistler Studios
Size: Approximately 18" x 15"



Check www.windhamfabrics.com Free Project section to see if there are any pattern updates before you start your quilt project

WINDHAM FABRICS

812 Jersey Ave ~ Jersey City, NJ 07310 ~ 201.659.0444 ~ FAX: 201.659.9719
www.windhamfabrics.com email: retail@windhamfabrics.com

QUILT GIRL Hobo Bag



Designed by Whistler Studios
Featuring the Quilt Girl Collection by Whistler Studios
Size: Approximately 18" x 15"



37315-X



37316-X



37318-1

Fabric Requirements:

37315-X or 37316-X - 1 yard

37318-1 - 1/2 yard

1/8 yard of Fusible Interlining

Cutting:

37315-X or 37316-X

Cut (2) 18" x 15" rectangles for the outer bag

Cut (1) 23" x 4 1/2" rectangle for bottom

Cut (2) 8 3/4" x 22" rectangles for shoulder strap

37318-X

Cut (2) 18" x 15" rectangles for lining sides

Cut (1) 23" x 4 1/2" rectangle for lining bottom

Cut (1) 10" x 6" rectangle for lining pocket

Fusible Interlining

Cut (2) 18" x 2" strips

Assembly:

All seams are 1/4" wide.

Outer Bag

1. Start with the rectangles for the outer bag. Take a 10" plate (or 10" circle) and line the curve up with the bottom corner and trace the curve onto the wrong side of the fabric. Cut along the curve line. Repeat for the other side. Diagram 1 & 2

Repeat this step for the lining sides as well. Set aside.

Diagram 1

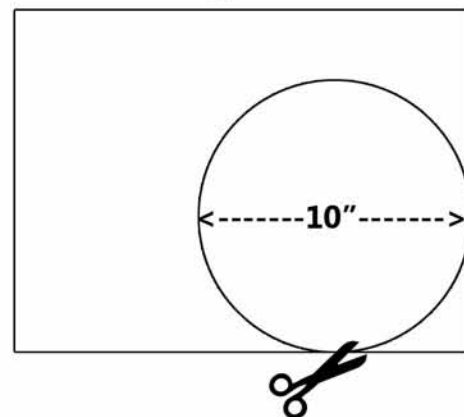
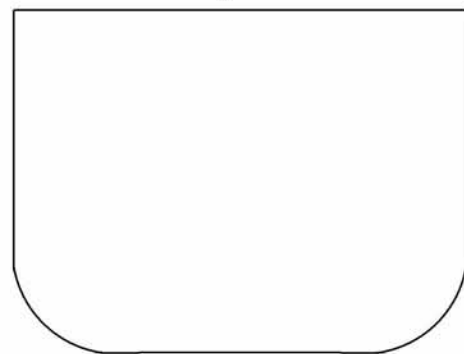


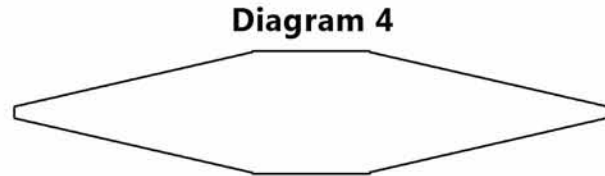
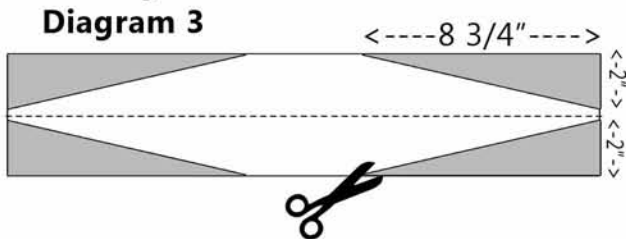
Diagram 2





Bottom

- Take the rectangle for the bottom and fold in half the long way. Make a mark at the center point on each end. Measure 2" in from each side. Then measure 8 3/4" from end down long side. Diagram 3



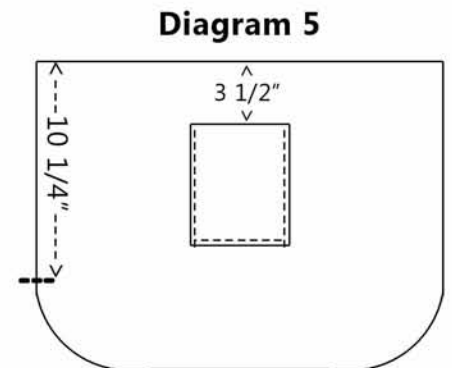
- Cut the triangles at each side end off. Diagram 4. Repeat for lining bottom.
- With right sides together, take the pocket lining and machine stitch around the 3 open sides, leaving a 2" opening on the end for turning. Clip the corner seam allowance to reduce bulk and turn to the right side. Press flat.

- Center the pocket 3 1/2" from the top edge of one side of the lining. Machine stitch the 3 sides leaving the top open. Reinforce the top corners against wear and tear. Diagram 5

- Take one outside panel and measure down 10 1/4" on each side and place a small mark. Diagram 5

- With right sides together, pin the bottom piece to the bottom edge of the side panel ending at the mark on each side. Machine stitch. Repeat for the other side.

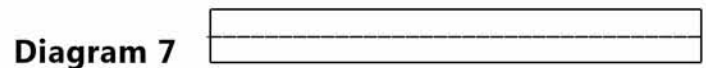
- Repeat steps 6 & 7 for the lining.



- With right sides together, sew the side seams of the bag together. Repeat same step for the lining but leave a 3-4" opening on one lining side seam so you can turn the bag later.

Shoulder Strap

- With right sides together, attach each side of the shoulder strap together on a short end. Press seam in one direction and add an edge stitch over seam side. Diagram 6



- With right sides together, fold the strap along the long side and machine stitch closed. Turn and press seam to the center. This will be the wrong side of the shoulder strap. Diagram 7

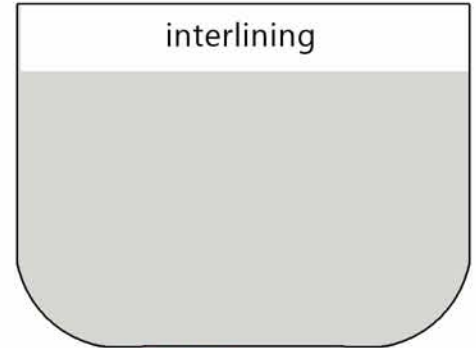
QUILT GIRL Hobo Bag

Page 3



12. Take fusible interlining strips and apply to the top edge of the WRONG side of bag following manufacturer's instructions. Diagram 8

Diagram 8



13. With the right sides together, center the strap over the side seam and extend it 1/2" over the top edge of the bag. Pin in place. Secure with a machine edge stitch to hold in place. Repeat for the other side. Diagram 8

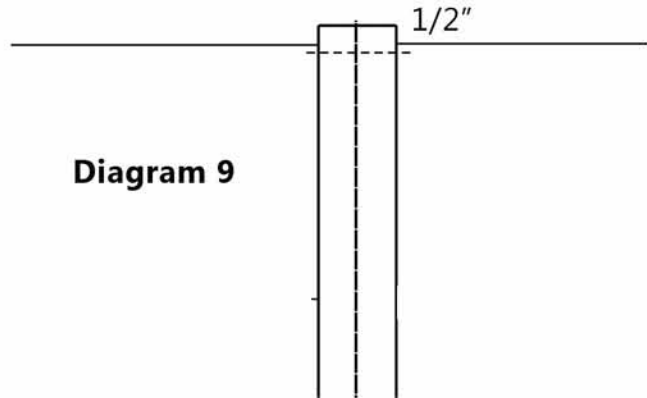


Diagram 9

14. With right sides together, place the lining bag into the outer bag and stitch top edge closed. Be careful not to catch the strap into the seam. Turn bag by carefully pulling it through the opening in the lining. Press the top edge flat and add a 1/4" topstitch to keep lining in place. Edge stitch the lining opening closed. Enjoy!



ANOTHER GREAT JOB BY QUILT



Be sure to visit www.windhamfabrics.com to see the complete collection and to download other Free Projects

WINDHAM FABRICS