

# Zen Bubble

Designed by Jessica Levitt  
Featuring the Cascade Collection by Jessica Levitt  
Size: 42" x 56"



Check [www.windhamfabrics.com](http://www.windhamfabrics.com) Free Project section to see if there are any pattern updates before you start your quilt project

**WINDHAM FABRICS**

812 Jersey Ave ~ Jersey City, NJ 07310 ~ 201.659.0444 ~ FAX: 201.659.9719  
[www.windhamfabrics.com](http://www.windhamfabrics.com) email: [retail@windhamfabrics.com](mailto:retail@windhamfabrics.com)

# Zen Bubble

Page 2

## Fabric Requirements:

Main Background = Splash in Fog = 1 ½ yards

Background Stripe 1 = Cascade in Ice = 3/8 yard

Background Stripe 2 and Main Bubble Outline = Splash in Clay = 5/8 yard

Main Bubble = Drip in Haze = 3/4 yard

Swirls:

Splash in Midnight = Fat Quarter

Drip in Bayou = 1/8 yd

Small bubbles background = Solid in Spring = 1/4 yd

Small Bubbles:

Glisten in Misty Mauve = 4"x 10" scrap or 1/8 yd

Glisten in Deep Sea = 4"x 10" scrap or 1/8 yd

Glisten in Sea Foam = 4"x 10" scrap or 1/8 yd

Float in Ice = Fat Eighth or 9" x 12" scrap

Float in Lake Water = Fat Eighth or 9" x 12" scrap

Float in Silt = Fat Eighth or 9" x 12" scrap

## Cutting:

Main background (Splash in Fog):

[A] Cut 42" x 45"

[B] Cut 2 @ 42" x 2 ¼"

Background Stripe 1 (Cascade in Ice):

[C] Cut 2 @ 42" x 3 ½"

Background Stripe 2 (Splash in Clay):

[D] Cut 2 @ 42" x 1 ¼"

Main Bubble (Drip in Haze):

Draw a circle 23 ½" on the fabric with a thin permanent marker.

Cut fabric approximately ½" outside the circle.

Cutting size of the bubbles, depends on which method you intend to use to applique the bubbles. Listed are the finished circle sizes. For raw edge applique, cut exactly to those sizes. For other applique methods, add the required seam allowances.

# Zen Bubble

Page 3

Bubble background (Spring Solid):

Finished circle sizes:

1  $\frac{3}{4}$ "      3"  
2"      4 @ 3  $\frac{1}{4}$ "  
2  $\frac{1}{2}$ "      2 @ 3  $\frac{1}{2}$ "  
2 @ 2  $\frac{3}{4}$ "      5"

Bubbles:

Glisten in Misty Mauve [E]:

Finished circle sizes:

2"      2  $\frac{1}{4}$ "

Glisten in Deep Sea [F]:

Finished circle sizes:

1  $\frac{3}{4}$ "      2  $\frac{3}{4}$ "  
2"

Glisten in Sea Foam [G]:

Finished circle sizes:

2 @ 1  $\frac{1}{4}$ "      2  $\frac{1}{4}$ "

Float in Ice [H]:

Finished circle sizes:

2  $\frac{1}{4}$ "      2  $\frac{1}{2}$ "

Float in Lake Water [I]:

Finished circle sizes:

3  $\frac{3}{4}$ "

Float in Silt [J]:

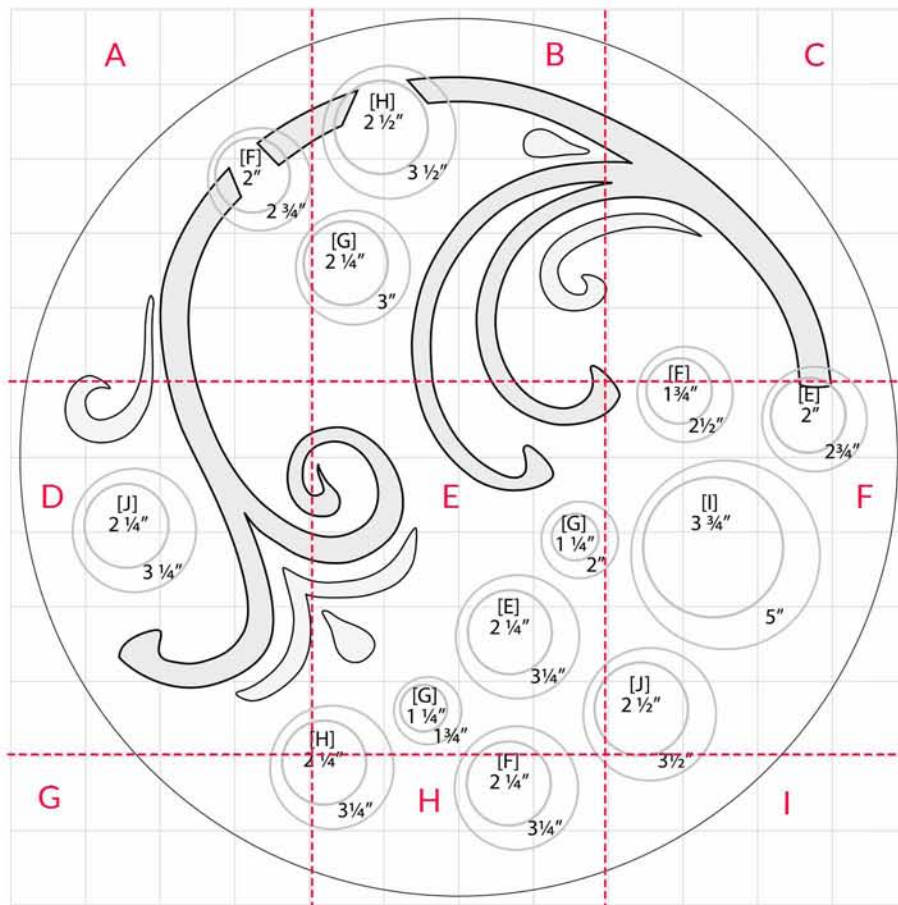
Finished circle sizes:

2  $\frac{1}{4}$ "      2  $\frac{1}{2}$ "

Swirls (Splash in Midnight and Drip in Bayou):

Print the pattern to scale. The grid in the background is 2" squares. Tape together the multiple pages using the grid to line it up. Cut shapes using the pattern.

Remember to add seam allowances if needed



See last pages for actual templates to follow for piecing

# Zen Bubble

Page 4

## Sew Background:

Sew the background pieces together along the long edges in the following order:  
B – D – C – A – C – D – B

Use the diagram on the title page for reference. Press the seams towards the lighter fabrics.

## Applique Bubble:

Use whatever method you prefer to applique pieces onto the main bubble. Use the printed pattern for placement. In the original quilt, my inner circles are reverse appliqued by machine, but everything else is hand appliqued.

## Complete Quilt:

Trim the main bubble just past the marked line. Center on the Background, pin, and stitch in place near the edge.

Make 5/8" wide bias tape from the remaining Main Bubble Outline fabric. Applique the bias tape around the edge of the main bubble to cover the raw edge.

Baste, Quilt, and Bind.

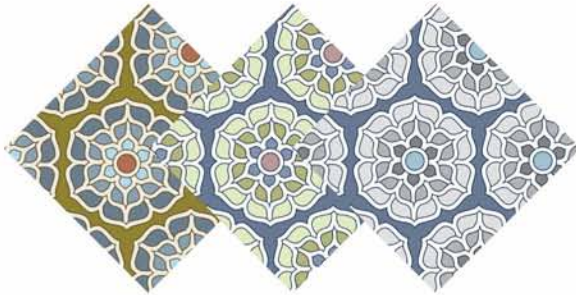
Enjoy!

**Be sure to visit [www.windhamfabrics.com](http://www.windhamfabrics.com) to see the complete collection  
and to download this and other Free Projects**

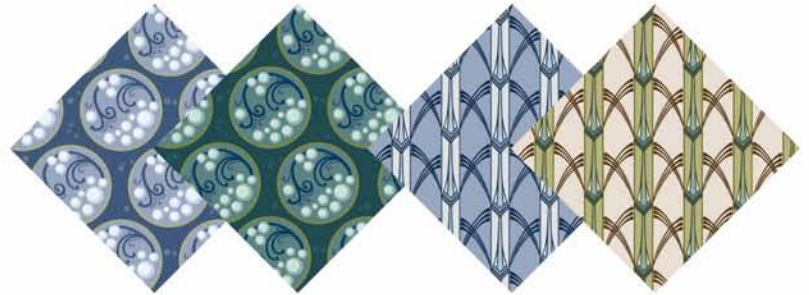
# Zen Bubble

Page 5

Complete collection Swatches for Reference  
(not all are used in this project)

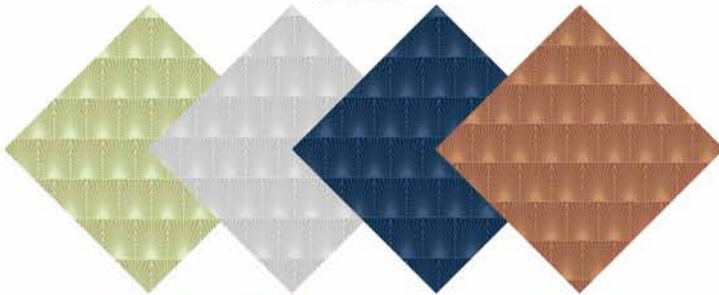


39747-1 *Silt*    39747-2 *Lake Water*    39747-3 *Ice*



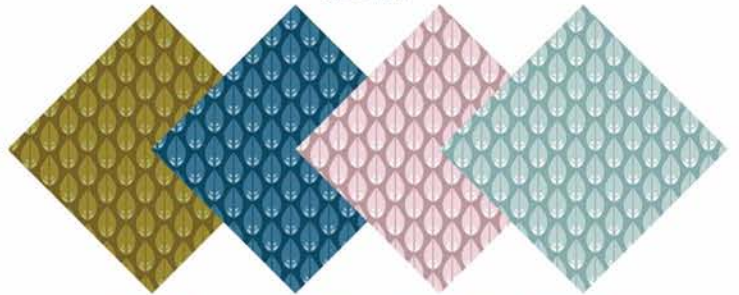
39748-2 *Lake Water*    39748-4 *Bayou*    39749-3 *Ice*    39749-5 *Marsh*

SPLASH



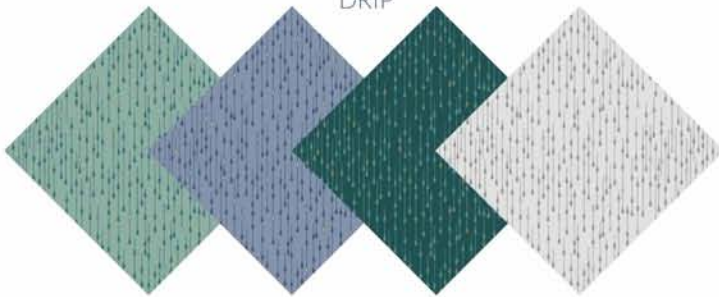
39750-6 *Spring*    39750-7 *Fog*    39750-8 *Midnight*    39750-9 *Clay*

GLISTEN



39751-1 *Silt*    39751-10 *Deep Sea*    39751-11 *Mauve Mist*    39751-14 *Sea Foam*

DRIP



39752-12 *Mineral*    39752-13 *Haze*    39752-4 *Bayou*    39752-7 *Fog*

SOLIDS

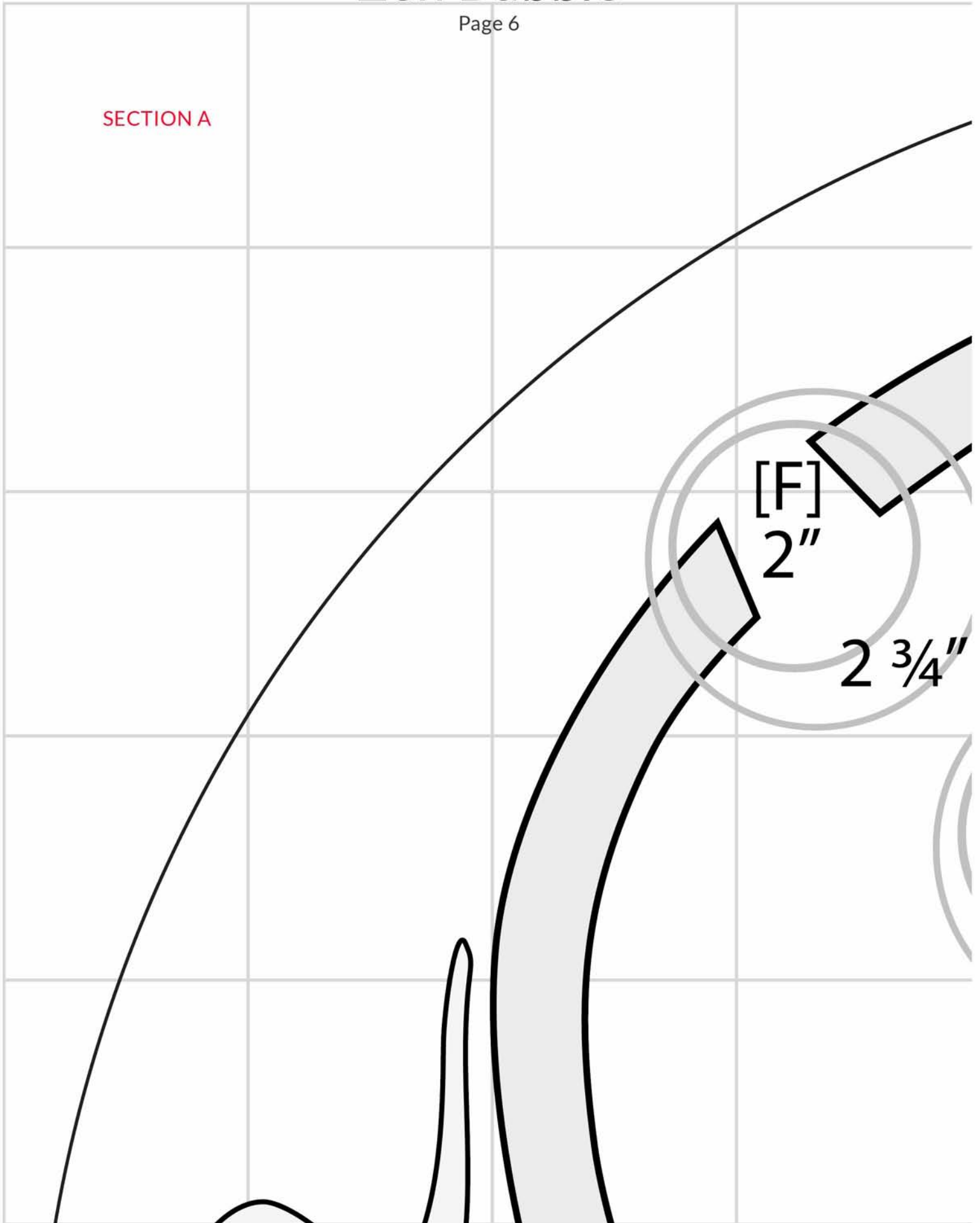


35362J-6 *Spring*    35362J-2 *Lake Water*    35362J-7 *Fog*    35362J-12 *Mineral*

# Zen Bubble

Page 6

SECTION A



# Zen Bubble

Page 7

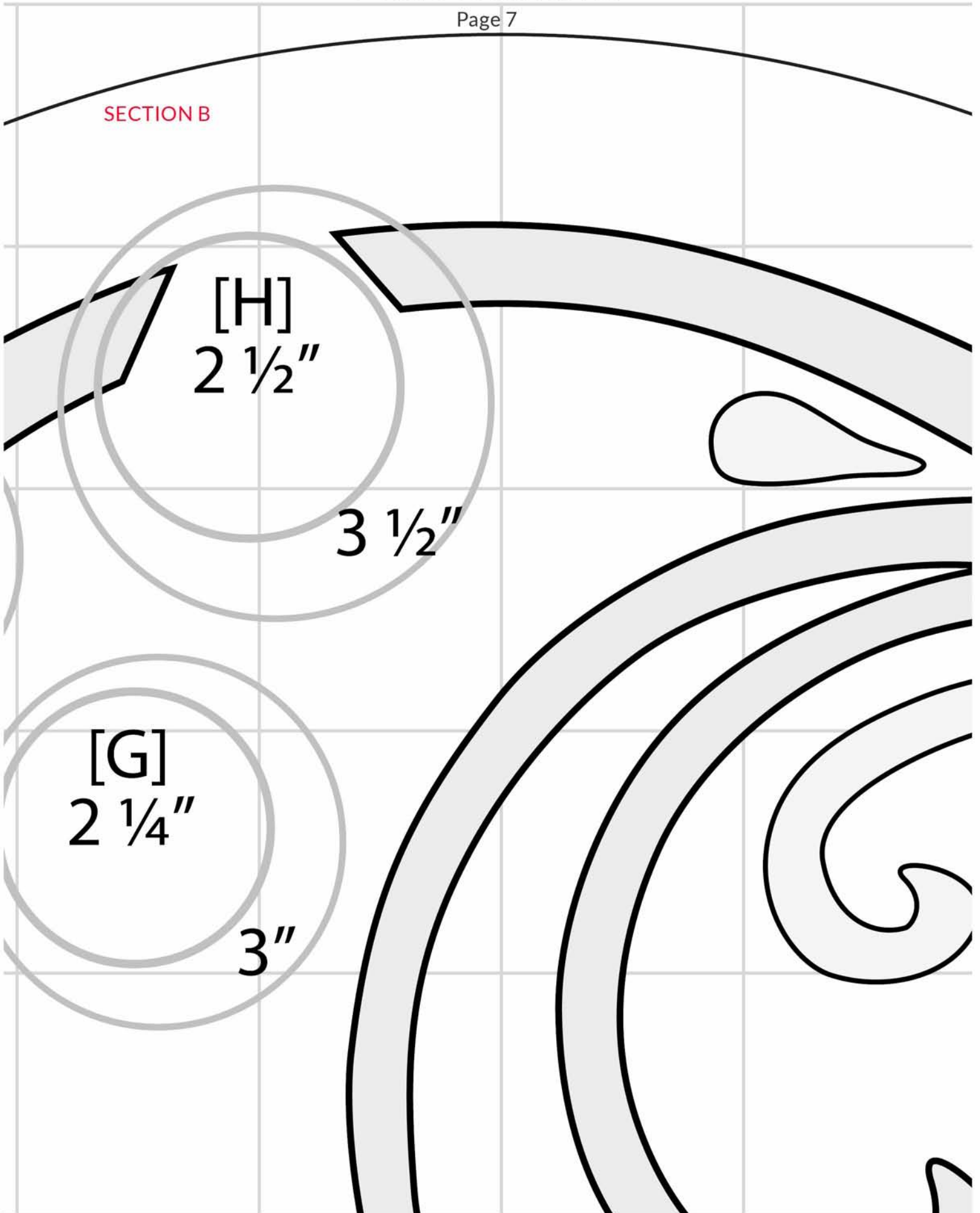
SECTION B

[H]  
2 1/2"

3 1/2"

[G]  
2 1/4"

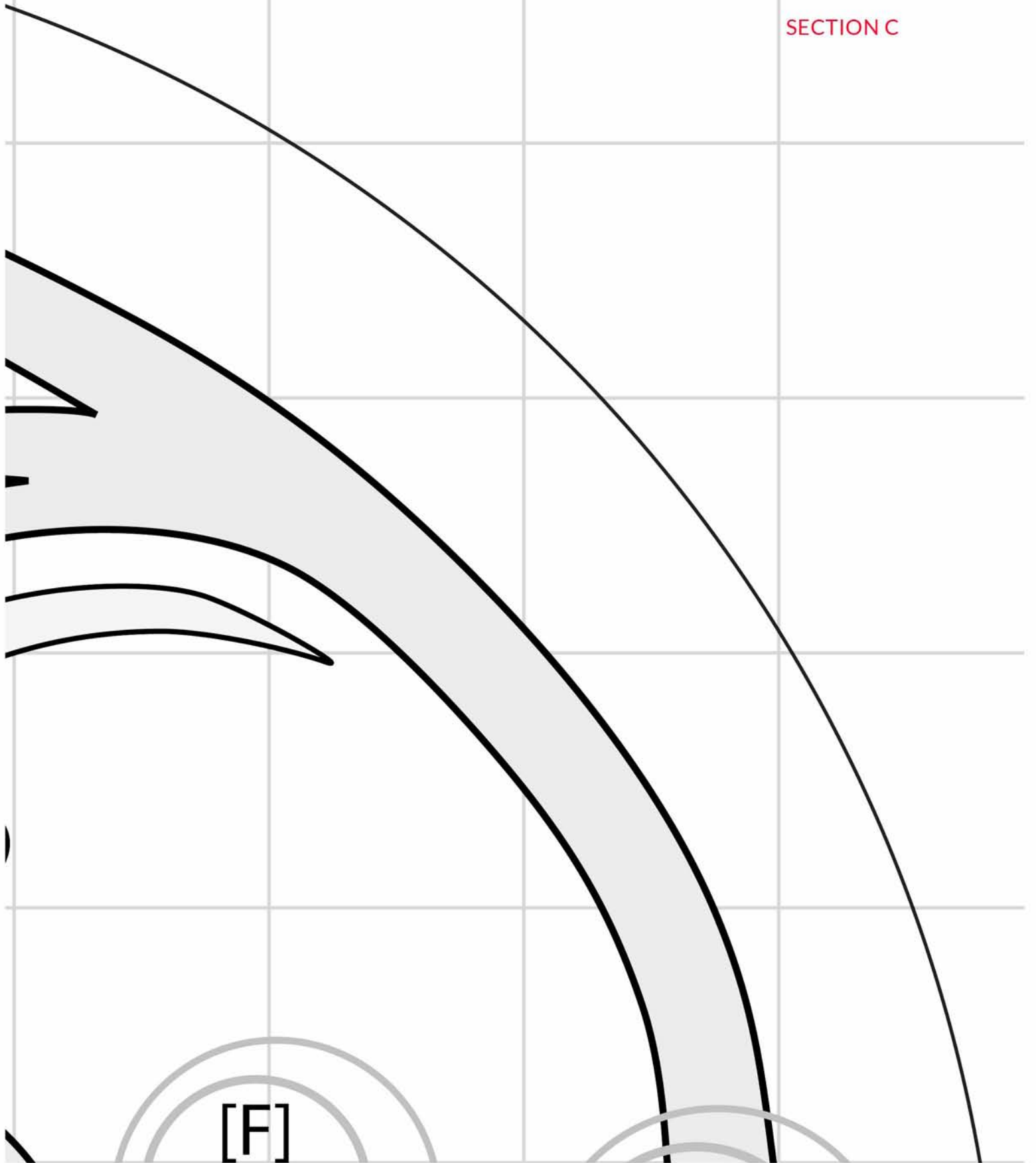
3"



# Zen Bubble

Page 8

SECTION C

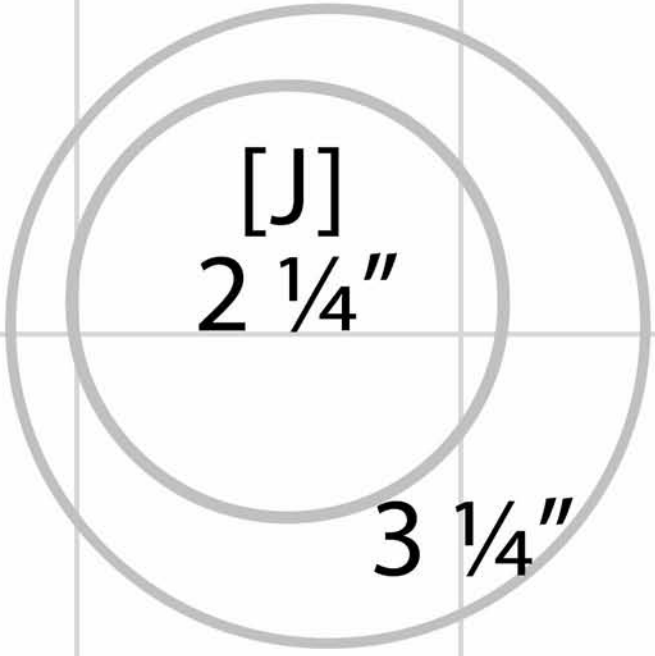




# Zen Bubble

Page 9

SECTION D



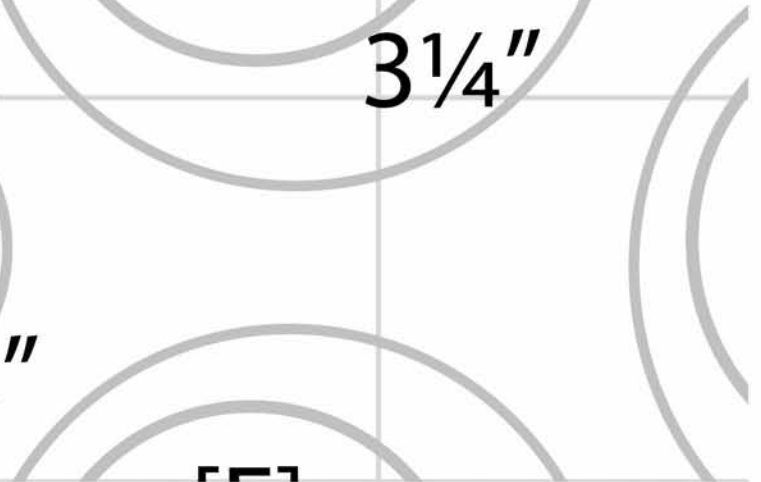
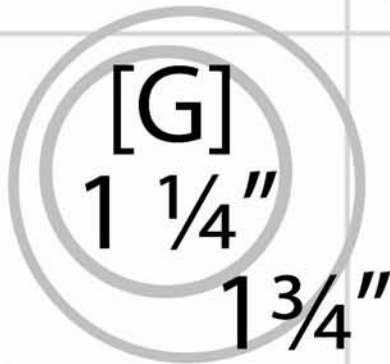
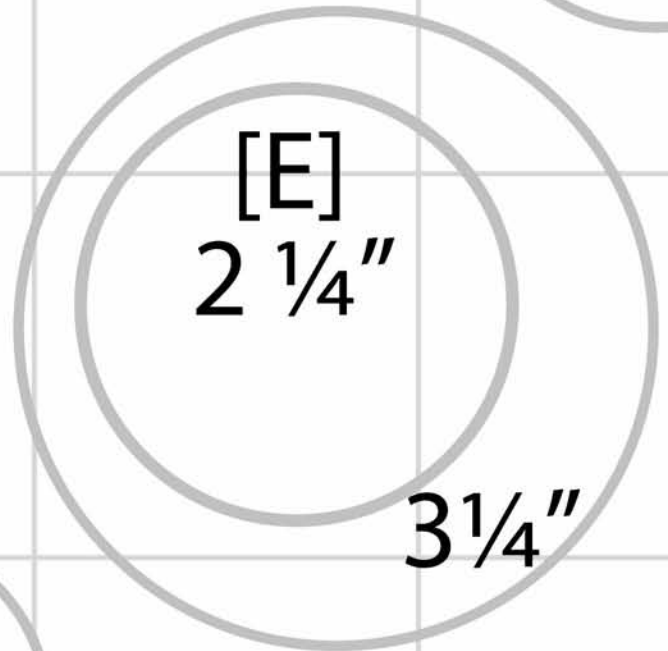
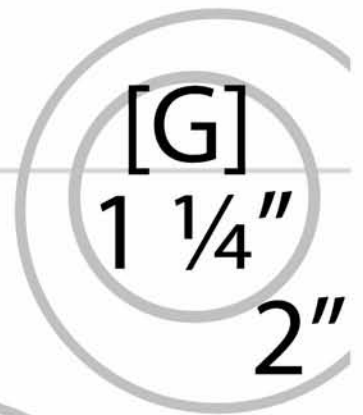
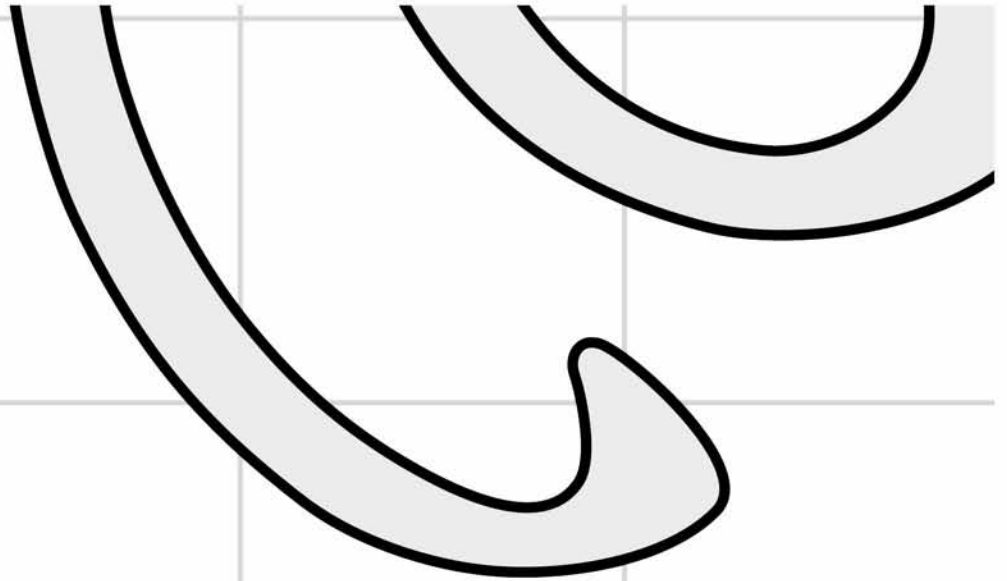
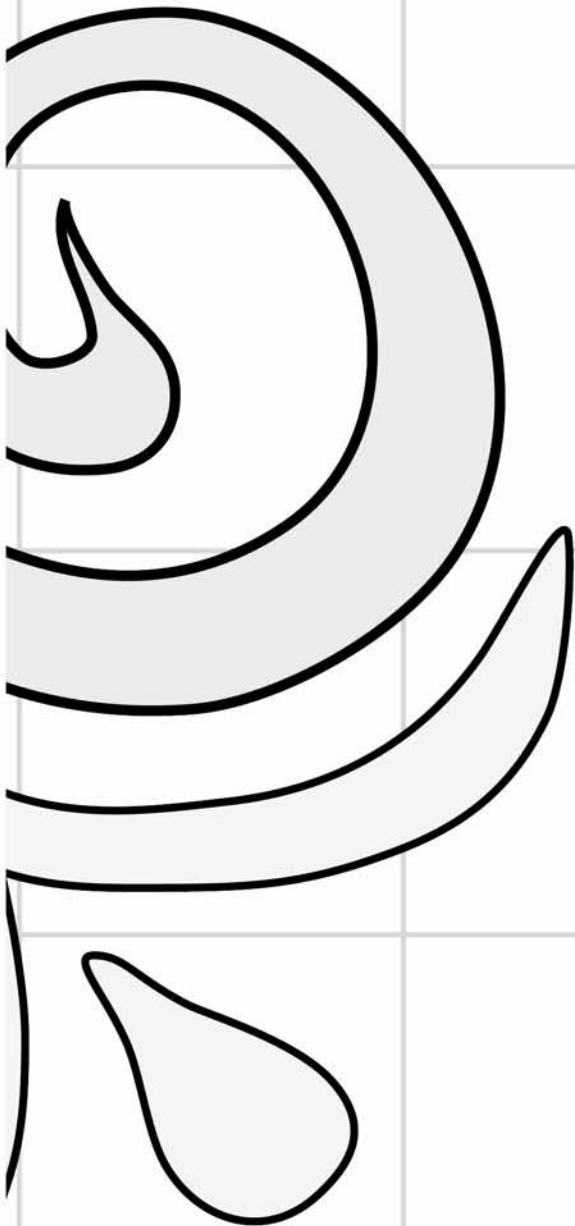
[J]  
2 1/4"

3 1/4"

# Zen Bubble

Page 10

SECTION E



1 3/4"

2 1/2"

[E]

2"

2 3/4"

[I]

3 3/4"

5"

[J]

2 1/2"

SECTION F

Zen Bubble

Page 11

# Zen Bubble

Page 12

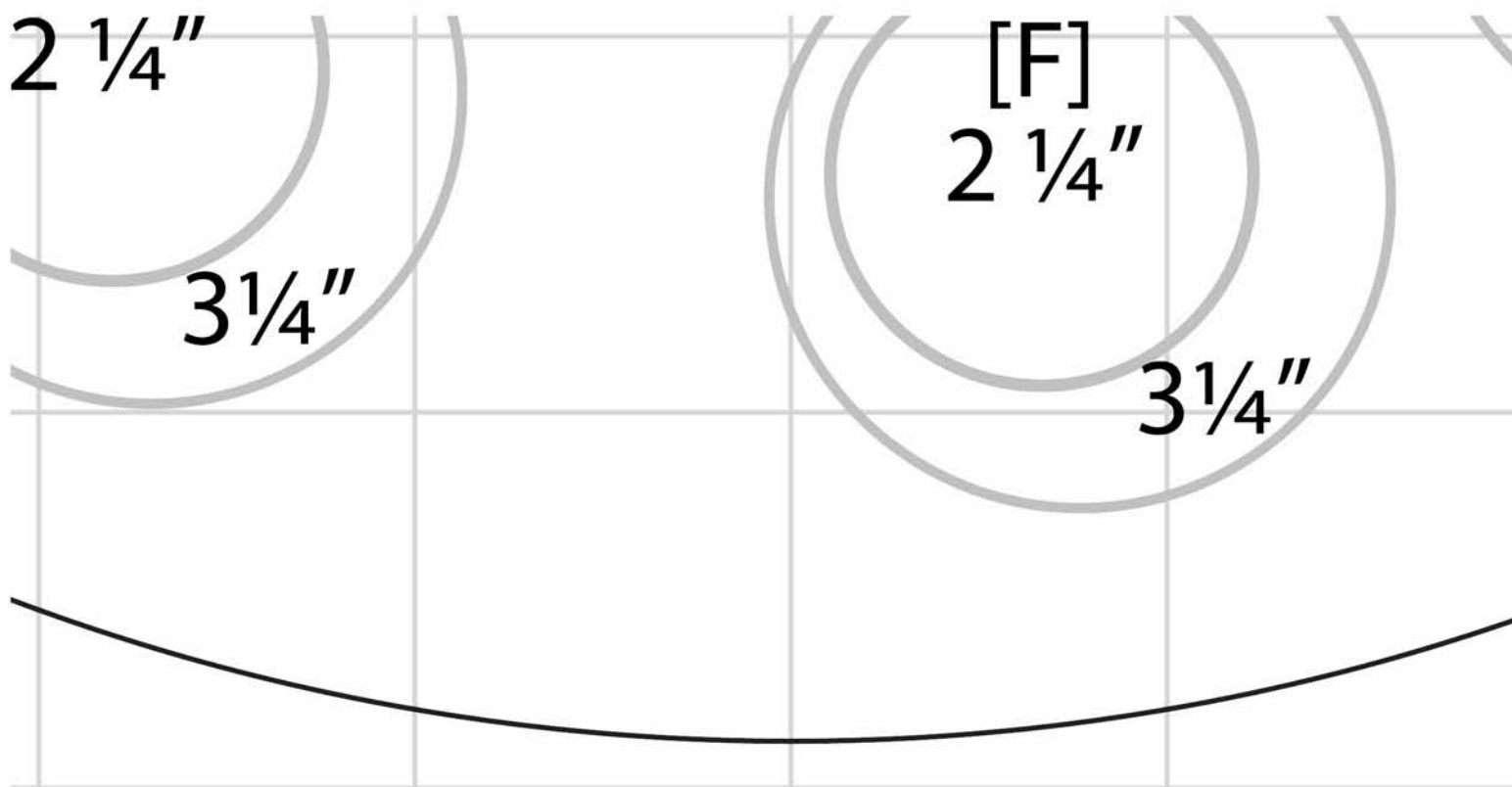
## SECTION G



# Zen Bubble

Page 13

## SECTION H



# Zen Bubble

Page 14

## SECTION I

